



INNER



OUTER



JETMASTER 700 DOUBLE SIDED
INDOOR/OUTDOOR GAS FIRE



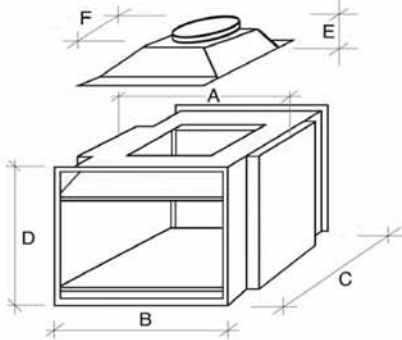
JETMASTER

JETMASTER MELBOURNE: Ph: 03 9429 5573 Email: info@jetmastervic.com.au

JETMASTER SYDNEY: Ph: 02 9597 7222 Email: sales@jetmaster.com.au

JETMASTER 700 DOUBLE SIDED INDOOR/OUTDOOR GAS FIRE

Installation Specifications

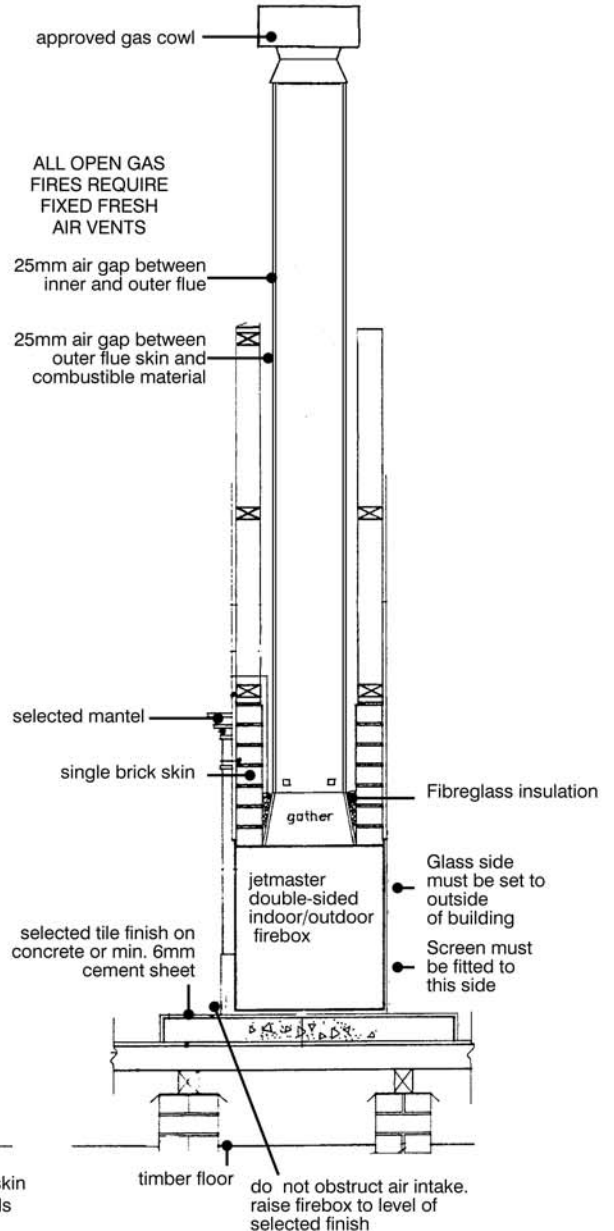
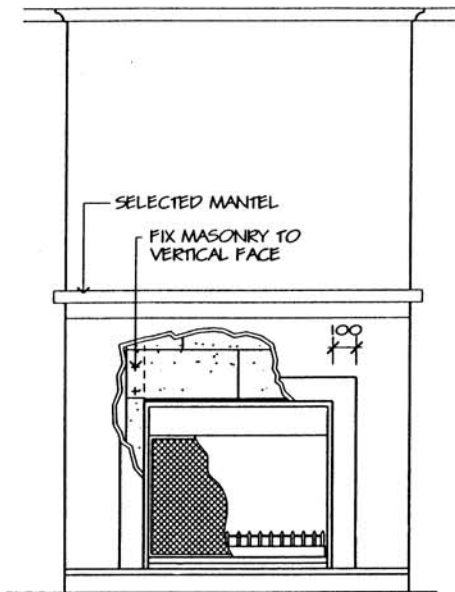


MODEL	A	B	C	D	E	F
700	860	800	610	700	220	300

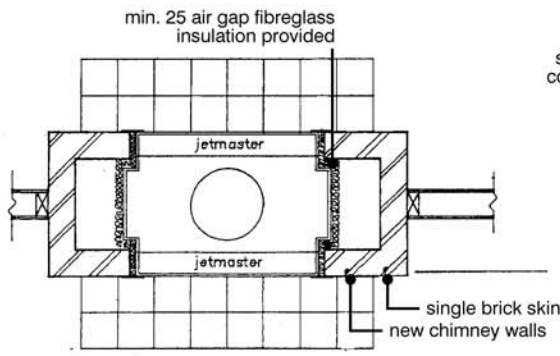
Inner flue diameter 225mm
Outer flue diameter 275mm

1. Please read the entire manual before assembling, installing and using the Jetmaster 700 Double sided Indoor Outdoor.
- Note: This installation DOES NOT apply to Jetmaster Universal units.**
2. Rooms with gas open fires require fresh air vents as per regulations.
3. The 700 Double sided Indoor/Outdoor must be installed and flue run complete prior to brick work and plastering.
4. No hearth is required, but for added safety a hearth is recommended.
5. Gas pipe entry from left hand side of burner. 1/2" Copper pipe must be the final connection to the burner.

MASONRY INSTALLATION



ALL OPEN GAS FIRES REQUIRE FIXED FRESH AIR VENTS



No hearth is required but for added safety a hearth is recommended.