

DIRECT VENT BALANCED FLUE

PRODUCT DESCRIPTION

Heat & Glo have released a range of balanced flue fireplaces featuring the latest "IntelliFire" Ignition Technology.

The gas combustion area is totally sealed from the room and the oxygen required for combustion is introduced from the outside, through the special flue system. NO FRESH AIR VENTILATION is required!

These units are ideal for healthy home heating, as well as perfect for ... Nursing Homes, Offices, Medical Suites, Waiting Rooms, Hotel Rooms, Lounges, Restaurants ... and so on.

SPECIFICATIONS

Full technical details & specifications for all models have been collated into the following sections:

FLUE SPECIFICATIONS

Flue lengths, diameters, etc

AT-SUPREME

Designed for existing chimney applications

SL-350 TRSI-AUE

SL-550 TRSI-AUE

6000TRSI-AUC

Designed for Zero Clearance installation in any room

ST-HBVI-AU

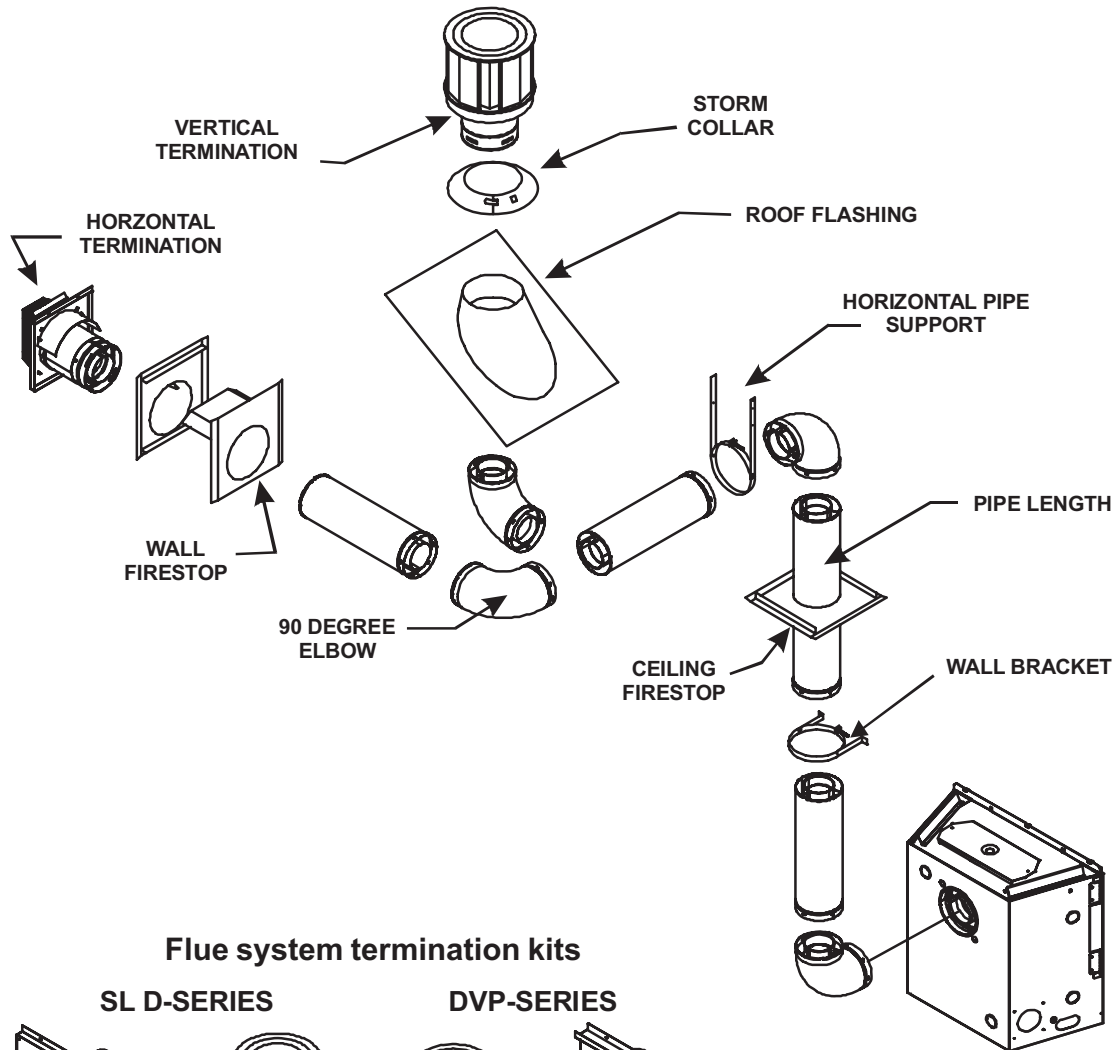
Double sided

VERTIKL

Free-standing fireplace

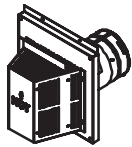
EXAMPLES OF FLUEING OPTIONS

Flue system components



Flue system termination kits

SLK D-SERIES



SLK-01TRD



SLK-991DA

DVP-SERIES



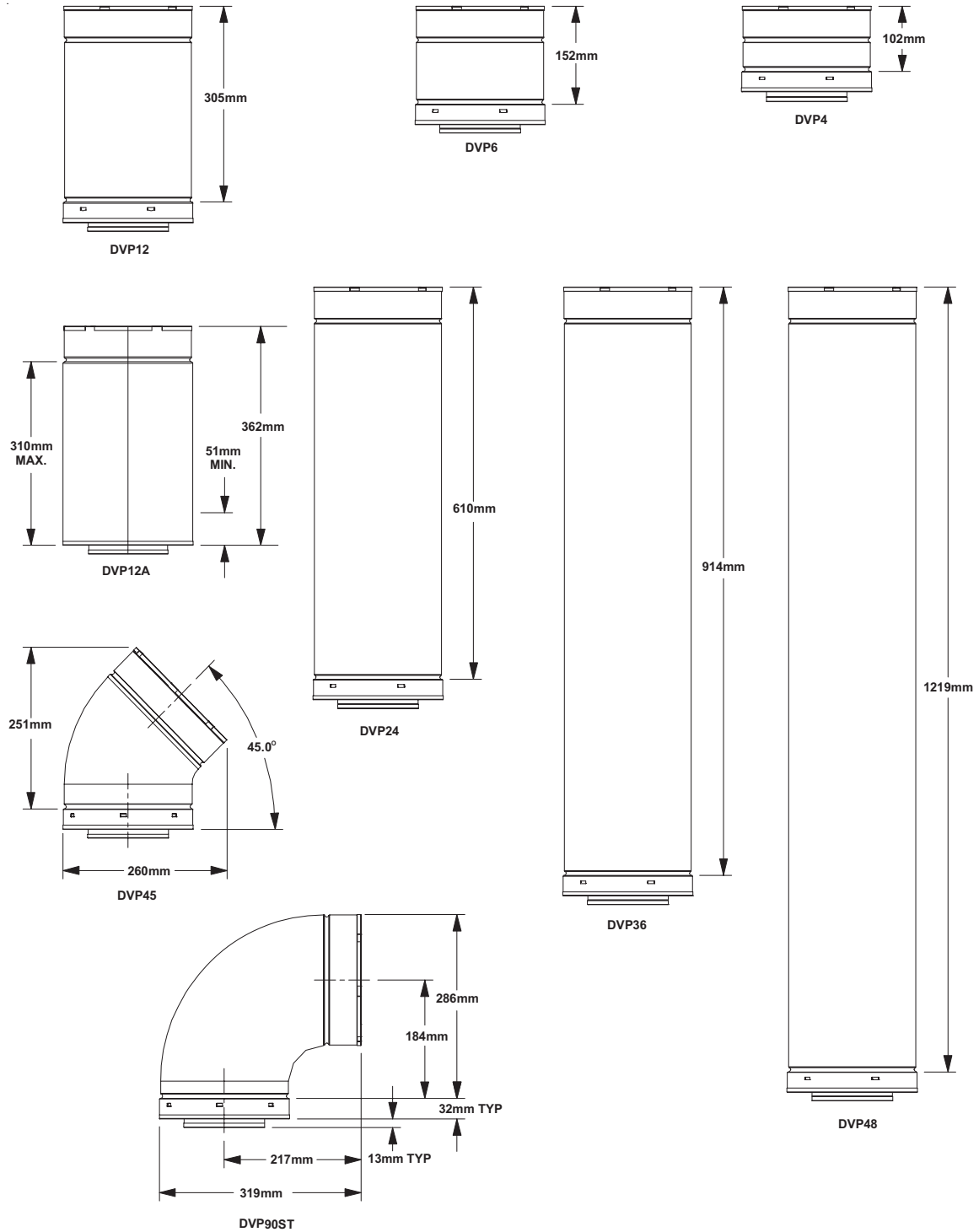
DVP-TVHW



DVP-TRAP2

FLUE SPECIFICATIONS

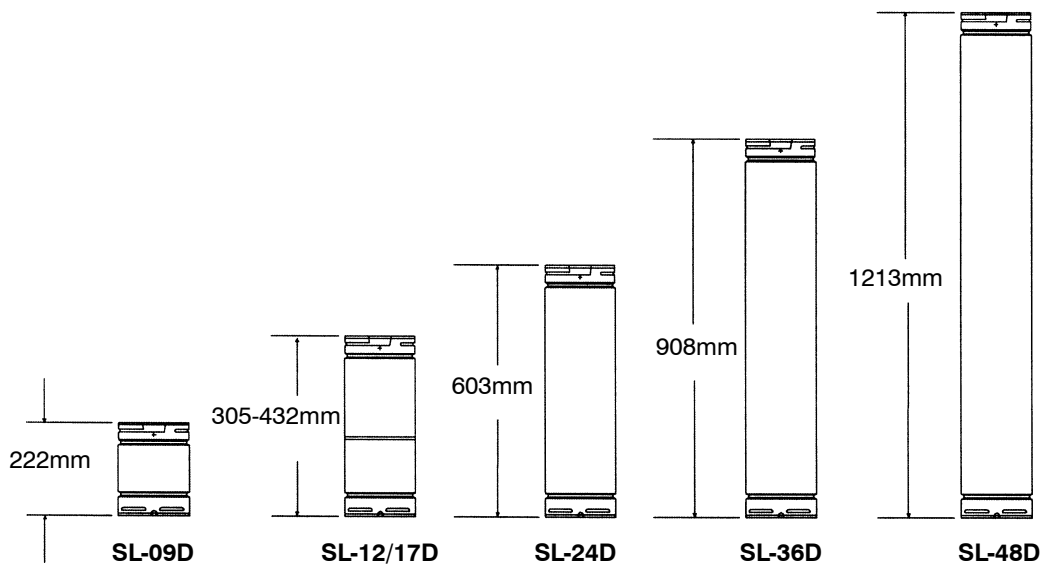
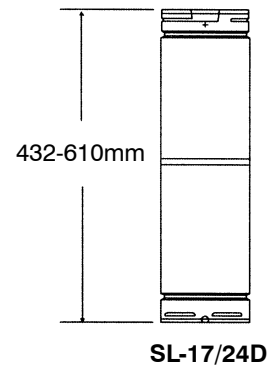
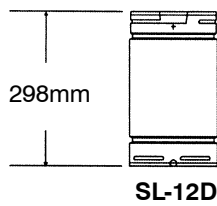
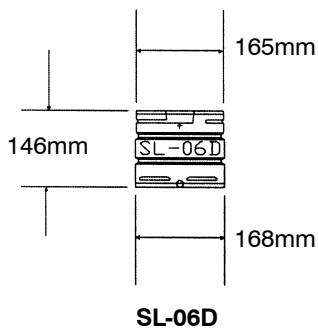
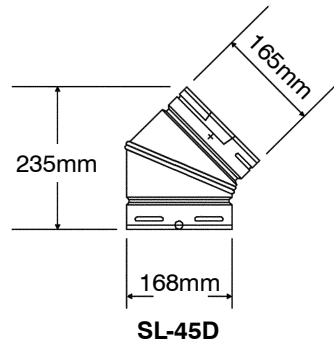
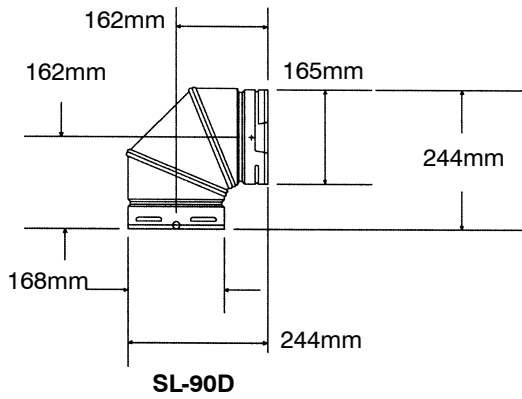
205mm DVP - SERIES FLUE PIPE



INNER FLUE DIAMETER 127mm. OUTER FLUE DIAMETER 203mm.
NOTE: PIPES OVERLAP 32mm AT EACH JOINT.

FLUE SPECIFICATIONS

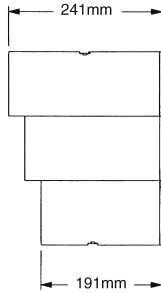
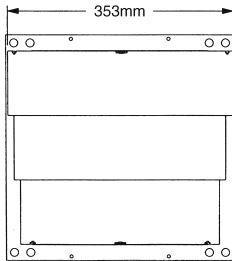
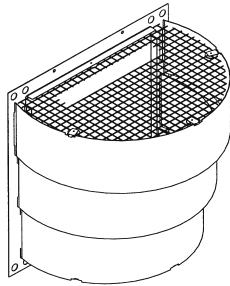
170mm SL D - SERIES PIPE



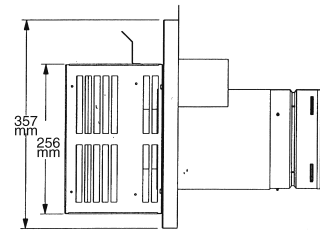
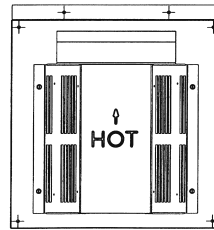
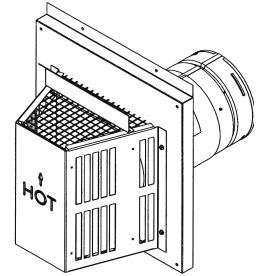
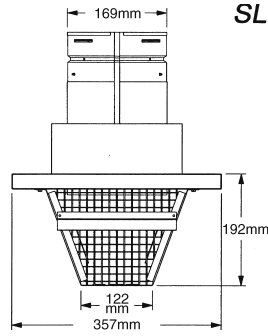
INNER FLUE DIAMETER 102mm. OUTER FLUE DIAMETER 168mm.
 NOTE: PIPES OVERLAP 35mm AT EACH JOINT.

TERMINATION COWLS

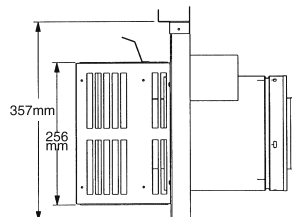
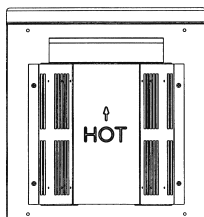
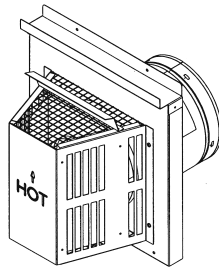
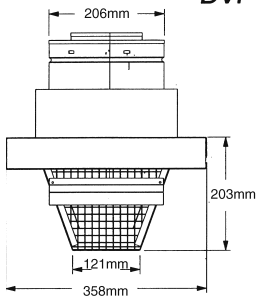
DRC-RADIUS



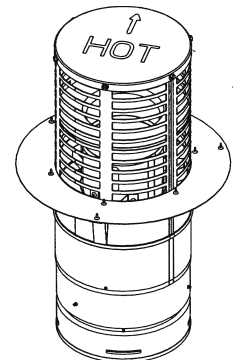
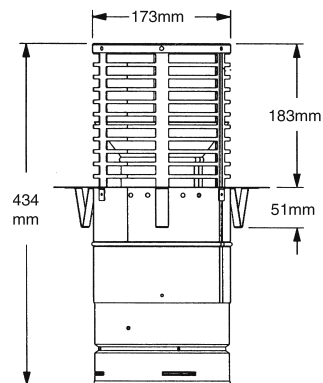
SLK-01TRD



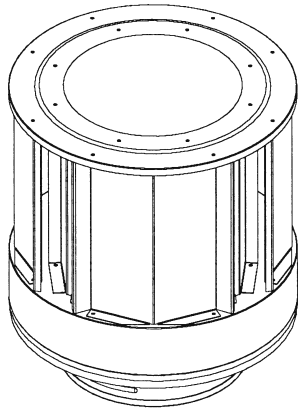
DVP-TRAP



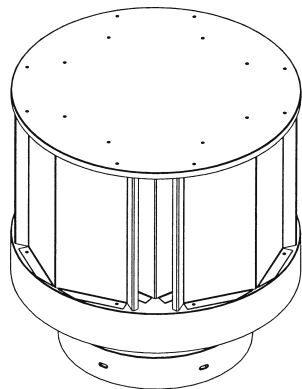
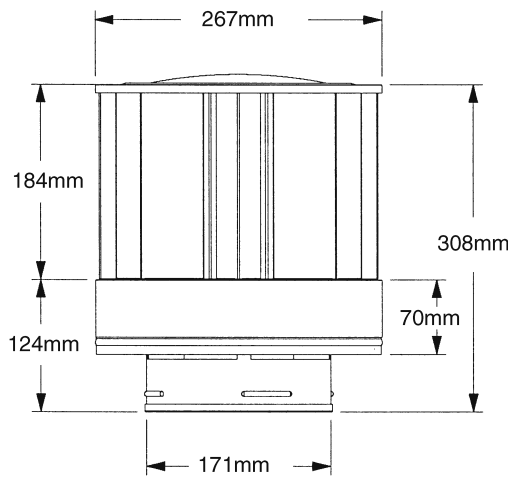
SLK-01DA



TERMINATION COWLS



SLK-991DA



DVP-TVHW

