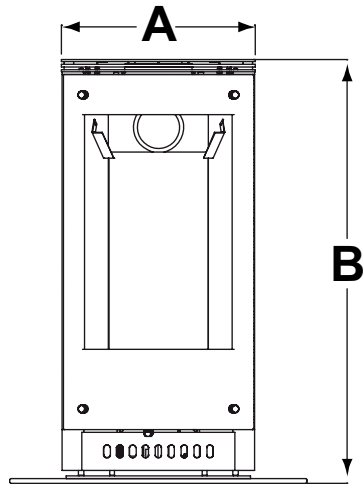


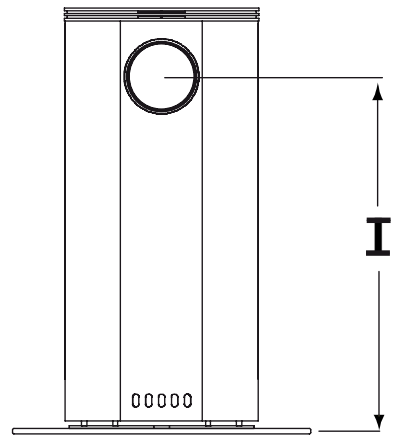
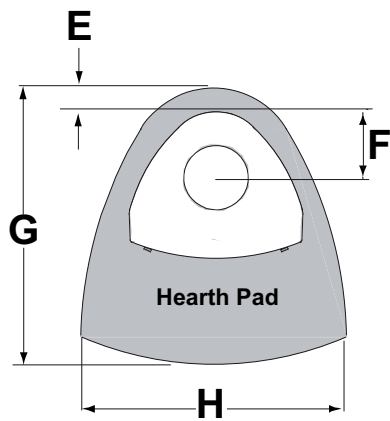
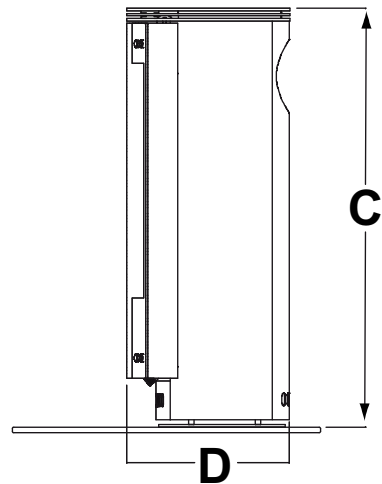
VRTIKL

Appliance Dimension Diagram Without Stone Surround

Dimensions are actual appliance dimensions. Use for reference only.



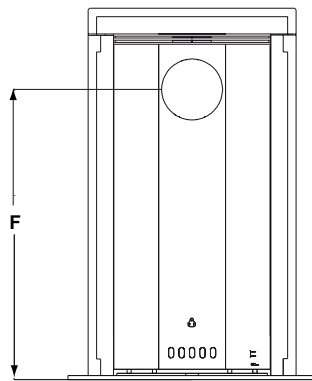
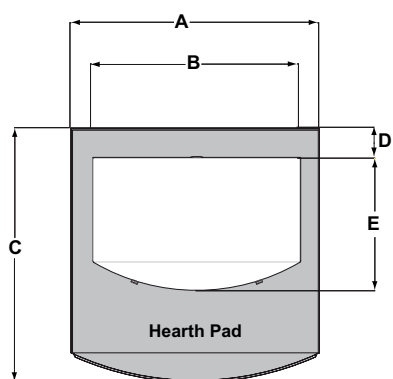
Height includes 9.53 mm hearth pad.



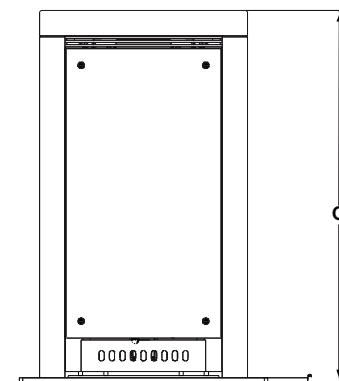
	A	B	C	D	E	F	G	H	I
Millimeters	479	1045	1035	403	76	181	762	733	867

VRTIKL

Appliance Dimension with Stone Surround Diagrams



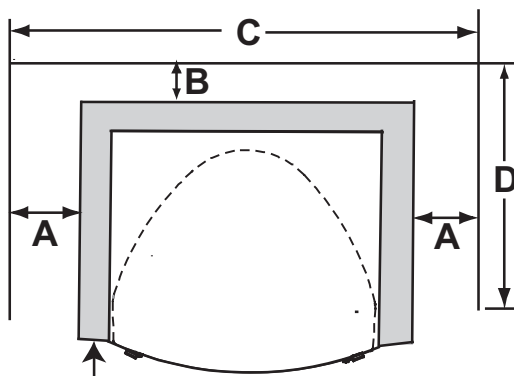
Height includes 9.53 mm hearth pad.



Height includes 9.53 mm hearth pad.

	A	B	C	D	E	F	G
Millimeters	753	620	768	83	428	867	1126

Optional Stone Surround Installed

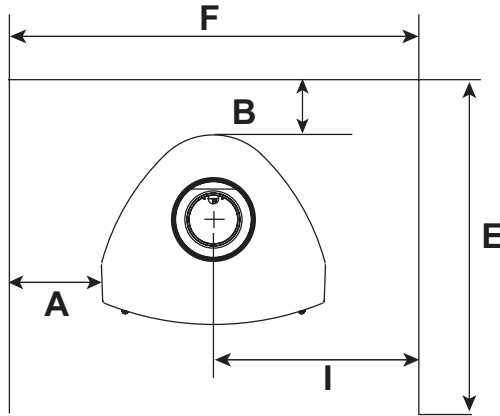


	A	B	C	D
Millimeters	83	102	781	914

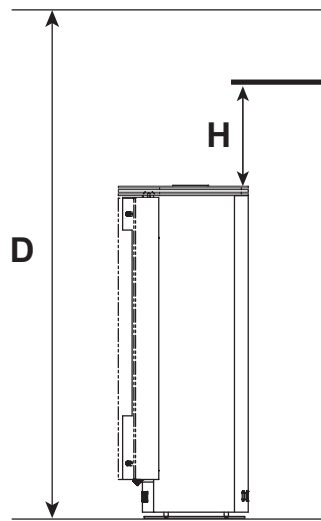
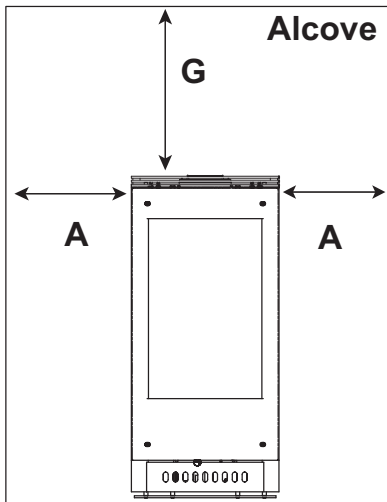
VRTIKL

Clearances

Clearances to Combustibles



“A” measurement is from gas stove top, not side.



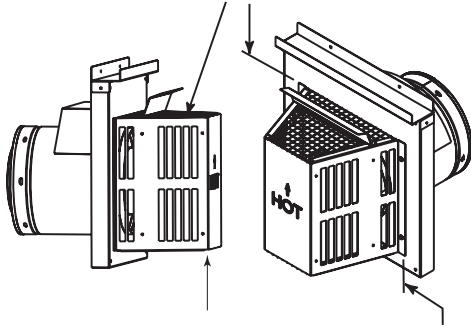
Note: Mantel must maintain 25mm clearance from vertical flue.

	A	B	C	D	E	F	G	H	I
Millimeters	152	76	308	1372	914	781	337	267	394

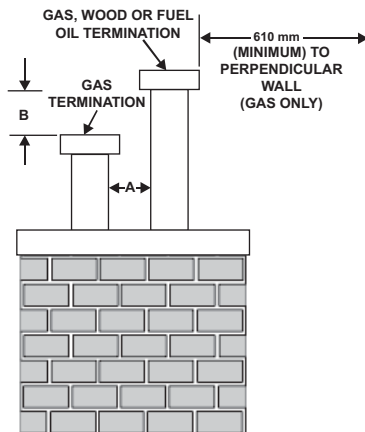
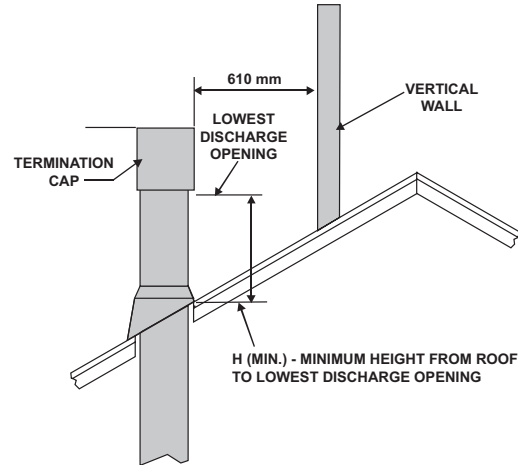
VRTIKL

Termination Locations Flue Termination Minimum Clearances

Measure vertical clearances from this surface.



Measure horizontal clearances from this surface.



Angle	H (Min.) M
0°-26.6°	0.30*
26.6°-30.3°	0.38*
30.3°-33.7°	0.46*
33.7°-36.9°	0.61*
36.9°-39.8°	0.76
39.8°-42.5°	0.99
42.5°-45.0°	1.22
45.0°-49.4°	1.52
49.4°-53.1°	1.83
53.1°-56.3°	2.13
56.3°-59.0°	2.29
59.0°-60.3°	2.44

*.91 M minimum in snow regions

Minimum Height from Roof to Lowest Discharge Opening

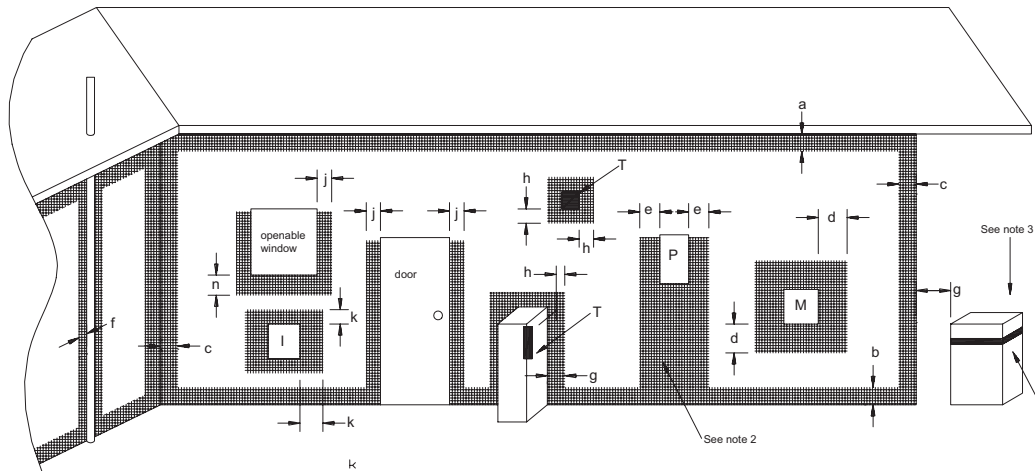
specifies minimum flue heights for various pitched roofs.

	Balanced Flue Gas Termination	Natural Draft Gas, Wood & Fuel Oil Termination
A	1000 mm	510 mm
B	0 mm	460 mm

Multiple Vertical Termination

VERTIKL

Minimum Clearances Required For Horizontal Balanced Flue Termination



T = Flue terminal M = Gas meter
 I = Mechanical air inlet P = Electricity meter or fuse box

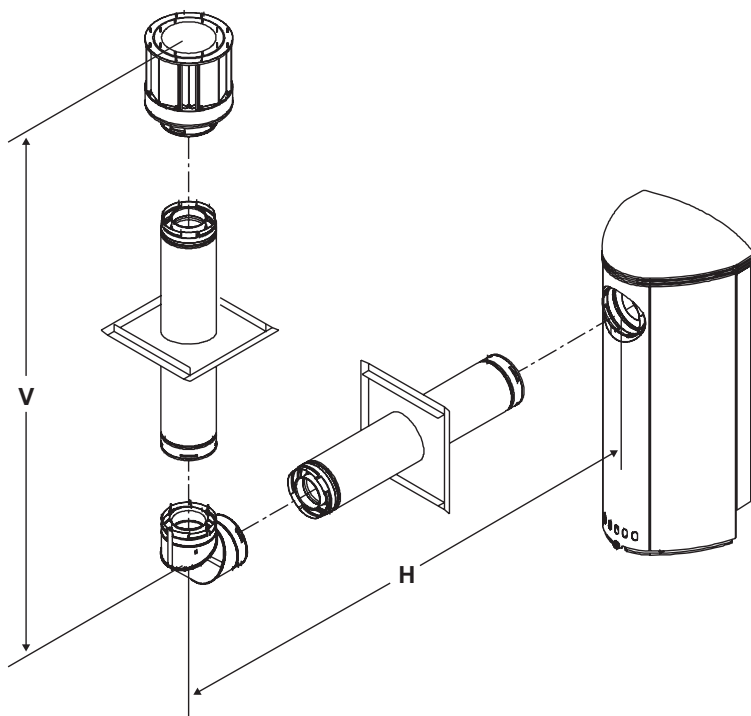
Shading indicates prohibited areas for flue terminals

a - Below eaves, balconies or other projections:	MIN. CLEARANCE (mm)
Appliances up to 50 MJ/h input	300
Appliances over 50 MJ/h input	500
b - From the ground or above a balcony	300
c - From a return wall or external corner	500
d - From a gas meter (M)	1000
e - From an electricity meter or fuse box (P)	500
f - From a drain or soil pipe	150
g - Horizontally from any building structure (unless appliance approved for closer installation) or obstruction facing a terminal	500
h - From any other flue terminal, cowl, or combustion air intake	500
j - Horizontally from an openable window, door, non-mechanical air inlet, or any other opening into a building, with the exception of sub-floor ventilation:	
Appliances up to 150 MJ/h input	500
Appliances over 150 MJ/h input	1500
k - From a mechanical air inlet, including a spa blower	1500
n - Vertically below an openable window, non-mechanical air inlet or any other opening into a building, with the exception of sub-floor ventilation	See table below

CLEARANCE 'n' (mm)			
Space Heaters	All other appliances		
Up to 50 MJ/h input	Up to 50 MJ/h input	Over 50 MJ/h & up to 150 MJ/h	Over 150 MJ/h input
150	500	1000	1500

- NOTES:**
1. All distances are measured vertically or horizontally along the wall to a point in line with the nearest part of the terminal.
 2. Prohibited area below electricity meter or fuse box extends to ground level.
 3. See clause 5.13.6.6 for restrictions on a flue terminal under a roofed area.
 4. See Appendix J, Figure J1(a) and J2(a) for clearances required from a flue terminal to a LP Gas cylinder. A flue terminal is considered to be a source of ignition.

VRTIKL

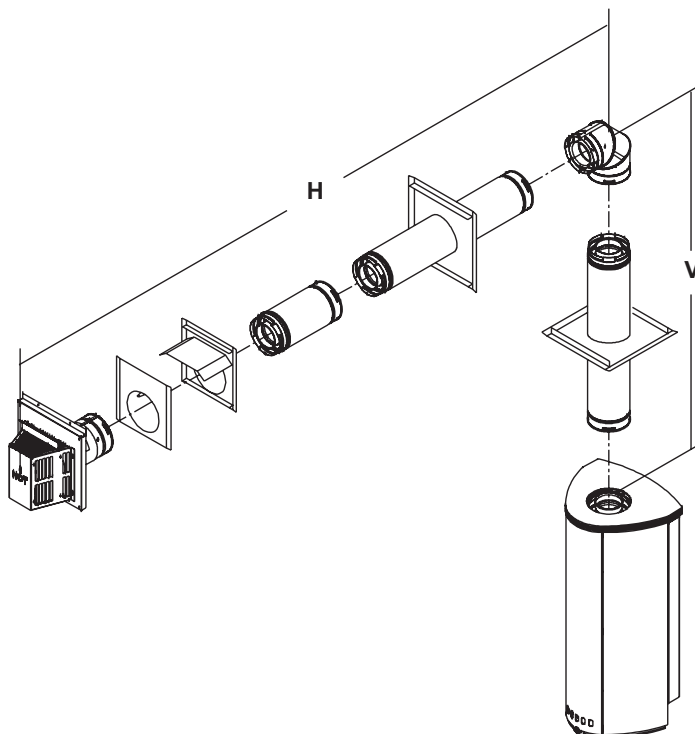


Natural Gas • One 90° Elbow System	
V Minimum	H Maximum
460 mm	1.3 M
920 mm	2.7 M
1.4 M	4.1 M
1.8 M	5.0 M
V+H = Max 11.6 M	H Max = 5.0 M

Propane • One 90° Elbow System	
V Minimum	H Maximum
460 mm	920 mm
920 mm	1.8 M
1.4 M	2.8 M
1.8 M	3.6 M
V+H = Max 11.6 M	H Max = 3.6 M

Natural Gas • One 90° Elbow System	
V Minimum	H Maximum
460 mm	1.3 M
920 mm	2.7 M
1.4 M	4.1 M
1.8 M	5.0 M
V+H = Max 11 M	H Max = 5.0 M

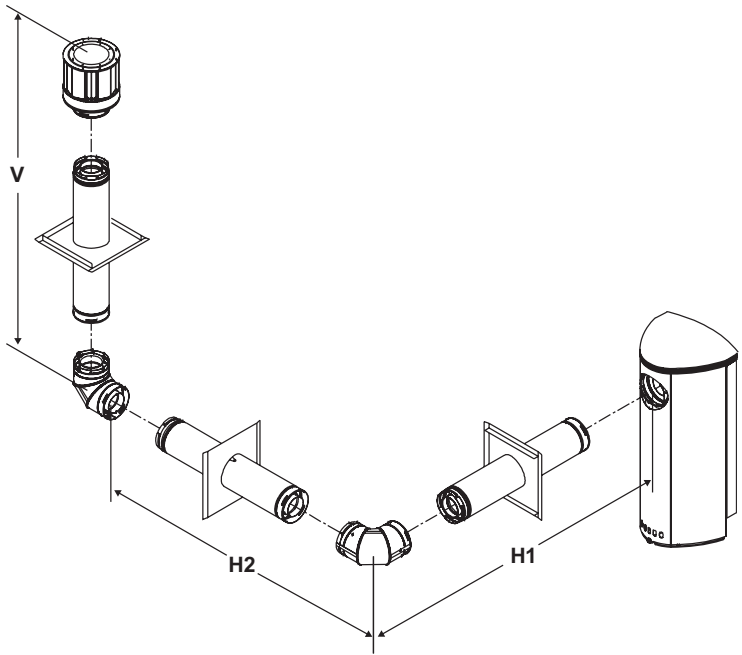
Propane • One 90° Elbow System	
V Minimum	H Maximum
460 mm	920 mm
920 mm	1.8 M
1.4 M	2.8 M
1.8 M	3.6 M
V+H = Max 11 M	H Max = 3.6 M



VRTIKL

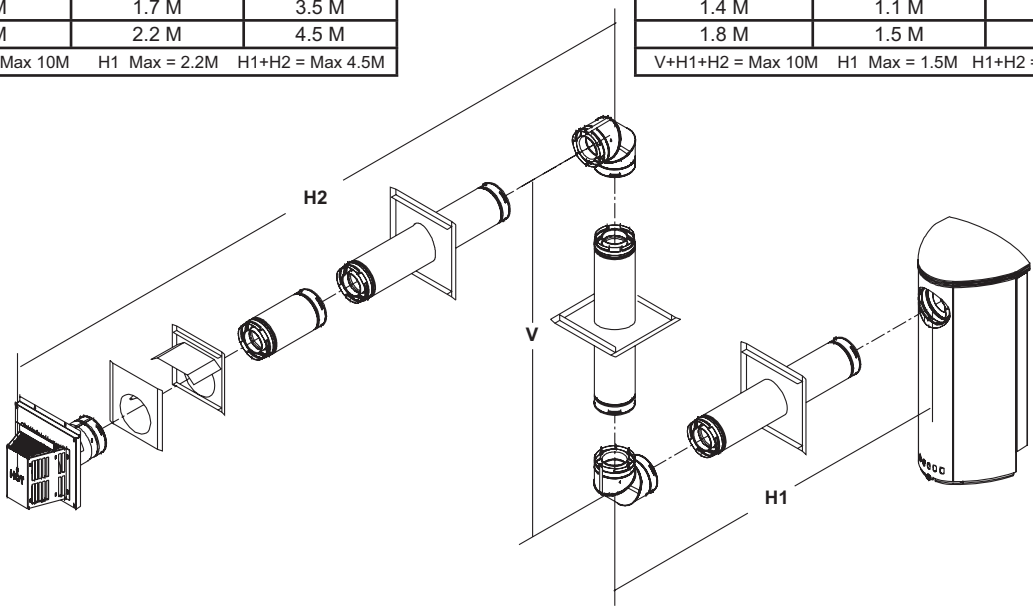
Natural Gas • Two 90° Elbows System		
V Min.	H1 Max.	H1 + H2 Max.
460 mm	550 mm	1.1 M
920 mm	1.1 M	2.2 M
1.4 M	1.7 M	3.5 M
1.8 M	2.2 M	4.5 M
V+H1+H2 = Max 11.0M H1 Max = 2.2M H1+H2 = Max 4.5M		

Propane • Two 90° Elbows System		
V Min.	H1 Max.	H1 + H2 Max.
460 mm	390 mm	690 mm
920 mm	750 mm	1.3 M
1.4 M	1.1 M	2.1 M
1.8 M	1.5 M	2.7 M
V+H1+H2 = Max 10.6M H1 Max = 1.5M H1+H2 = Max 2.7M		

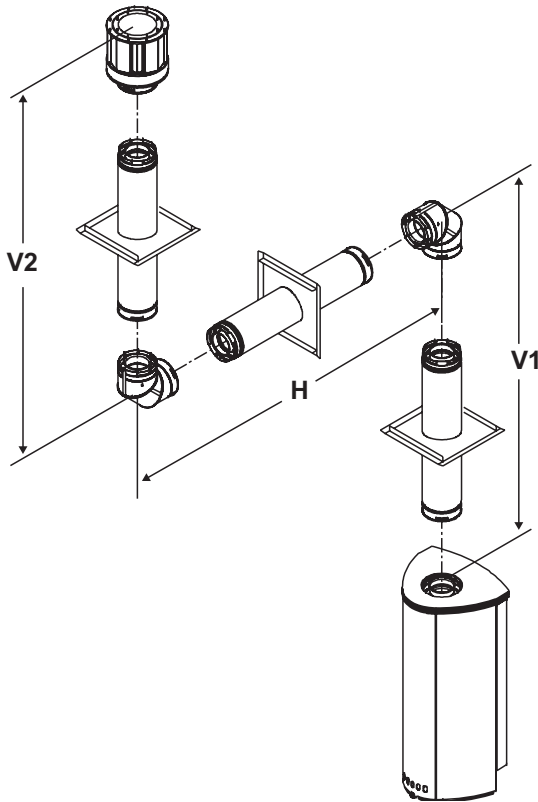


Natural Gas • Two 90° Elbows System		
V Min.	H1 Max.	H1 + H2 Max.
460 mm	550 mm	1.1 M
920 mm	1.1 M	2.3 M
1.4 M	1.7 M	3.5 M
1.8 M	2.2 M	4.5 M
V+H1+H2 = Max 10M H1 Max = 2.2M H1+H2 = Max 4.5M		

Propane • Two 90° Elbows System		
V Min.	H1 Max.	H1 + H2 Max.
460 mm	390 mm	690 mm
920 mm	750 mm	1.3 M
1.4 M	1.1 M	2.1 M
1.8 M	1.5 M	2.7 M
V+H1+H2 = Max 10M H1 Max = 1.5M H1+H2 = Max 2.7M		



VRTIKL



Natural Gas • Two 90° Elbows System

V1 Min.	H Max.
310 mm	930 mm
610 mm	1.8 M
91 cm	2.7 M
1.2 M	3.6 M
1.5 M	4.5 M
V1+V2+H = Max 11.4M H Max = 4.5M	

Propane • Two 90° Elbows System

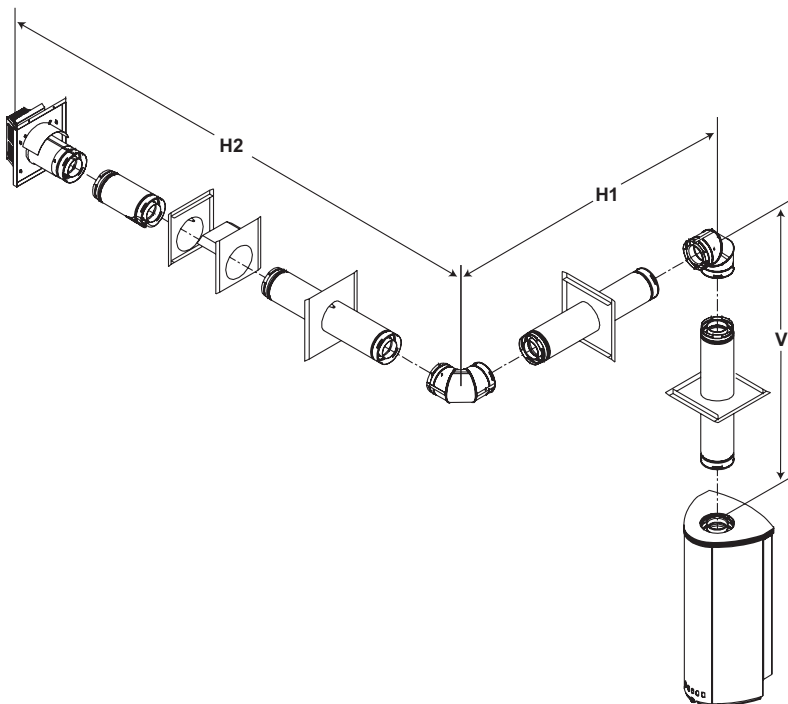
V1 Min.	H Max.
310 mm	620 mm
610 mm	1.2 M
910 mm	1.8 M
1.2 M	2.4 M
1.5 M	3.0 M
V1+V2+H = Max 11.4M H Max = 3.0M	

Natural Gas • Two 90° Elbows System

V Min.	H1+H2 Max.
61 cm	1.6 M
91 cm	2.4 M
1.2 M	3.2 M
1.5 M	4.0 M
V+H1+H2 = Max 11.4M H1+H2 = Max 4.0M	

Propane • Two 90° Elbows System

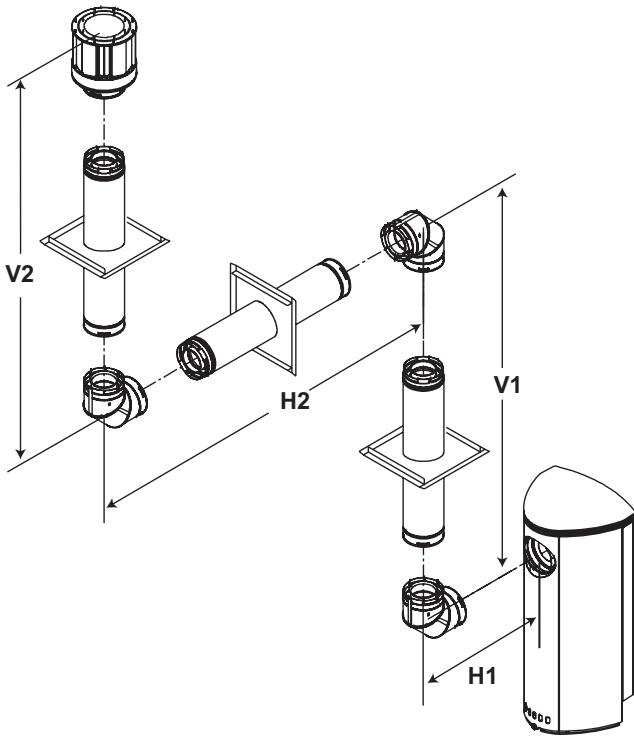
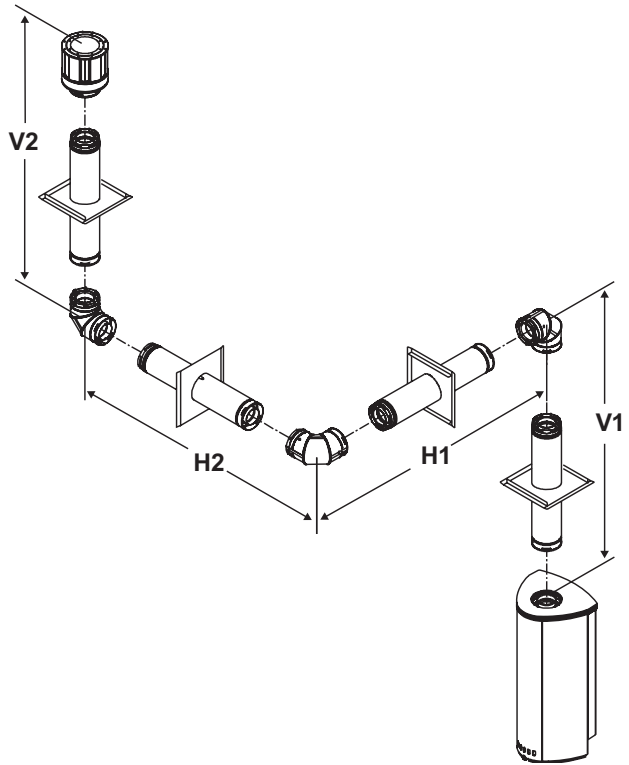
V Min.	H1+H2 Max.
61 cm	1.0 M
91 cm	1.5 M
1.2 M	2.0 M
1.5 M	2.6 M
V+H1+H2 = Max 11.4M H1+H2 = Max 2.6M	



VRTIKL

Natural Gas • Three 90° Elbows System		
V1 Min.	H1 Max.	H1 + H2 Max.
460 mm	550 mm	1.1 M
920 mm	1.1 M	2.3 M
1.4 M	1.7 M	3.5 M
1.8 M	2.2 M	4.5 M
V1+V2+H1+H2=Max 11M H1 Max=2.2M H1+H2=Max 4.5M		

Propane • Three 90° Elbows System		
V1 Min.	H1 Max.	H1 + H2 Max.
460 mm	340 mm	690 mm
920 mm	650 mm	1.3 M
1.4 M	1.0 M	2.1 M
1.8 M	1.8 M	2.7 M
V1+V2+H1+H2=Max 11M H1 Max=1.8M H1+H2=Max 2.7M		



Natural Gas • Three 90° Elbows System		
V1 Min.	H1 Max.	H1 + H2 Max.
460 mm	550 mm	1.0 M
920 mm	1.1 M	2.0 M
1.4 M	1.7 M	3.0 M
1.8 M	2.2 M	3.9 M
V1+V2+H1+H2=Max 11M H1 Max=2.2M H1+H2=Max 3.9M		

Propane • Three 90° Elbows System		
V1 Min.	H1 Max.	H1 + H2 Max.
460 mm	340 mm	550 mm
920 mm	650 mm	1.1 M
1.4 M	1.0 M	1.6 M
1.8 M	1.8 M	2.1 M
V1+V2+H1+H2=Max 10M H1 Max=1.8M H1+H2=Max 2.1M		