



# Decorative Gas Fireplaces

THE "A" SERIES

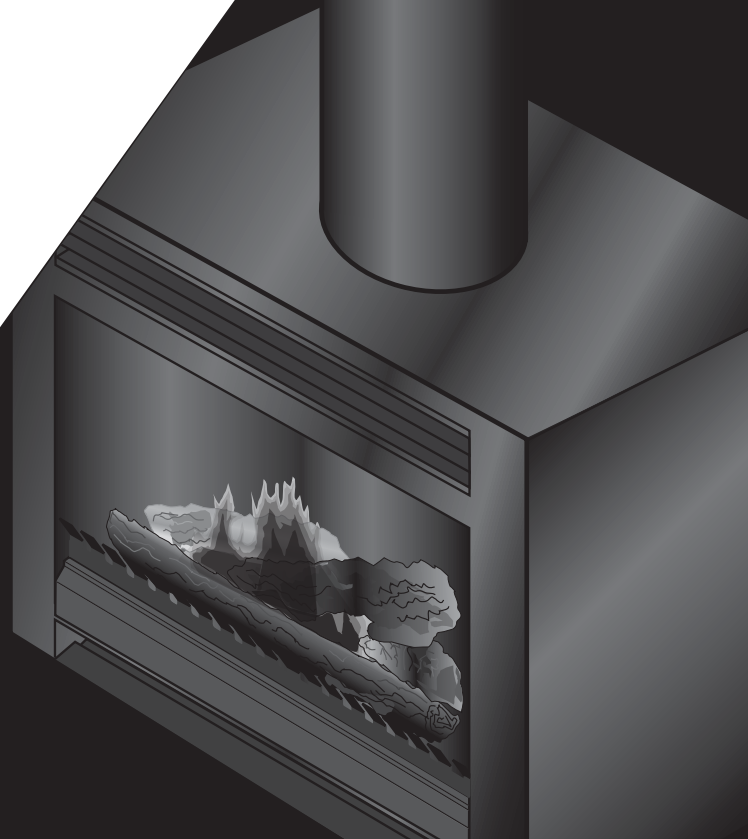
## **Standard Insulated Heatmaster Decorative Gas Fireplace Installation Guide**

Heatmaster  
National Office

2/9 Nicole Close Bayswater Victoria 3153  
Phone: 03 9761 7130 Fax: 03 9761 7134

Heatmaster  
NSW, QLD, ACT

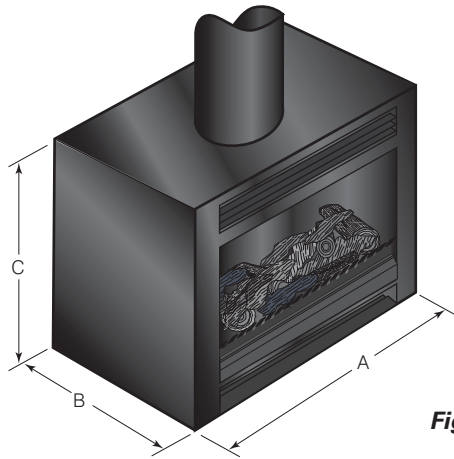
2/16 Lexington Drive,  
Northwest Business Park, Bella Vista NSW 2153  
Phone: 02 8824 9122 Fax: 8824 6487  
[www.heatmaster.com.au](http://www.heatmaster.com.au)



## Heatmaster fully insulated Gas firebox "A Series"

*Suitable for timber or brick installation.*

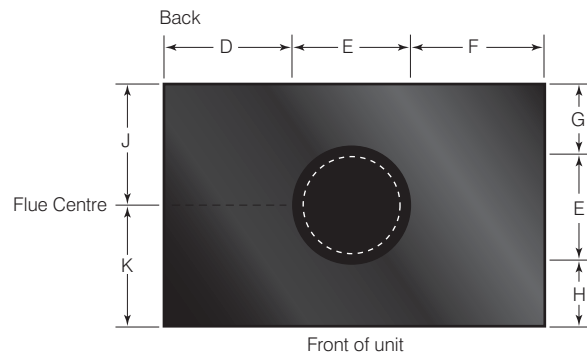
The Heatmaster open Gas fireplace system comes as a fully self-contained fireplace kit. The firebox, gas kit, flues and gas cowl are the basic components (Fig 1A). When installing your Heatmaster Gas fireplace please be sure to read the following carefully and to comply with all clearances. Full specifications are available upon request. Ensure that the gas connection is carried out by an authorized person in accordance with local gas fitting regulations.



**Fig 1A**

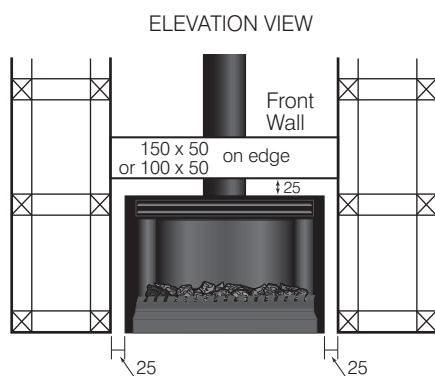
**Fig 1A - Flue System sizes and Specifications**

Model No	A450	A650	A750	A900
Inner Flue	150mm	180mm	200mm	200mm
Outer Flue	200mm	230mm	250mm	250mm

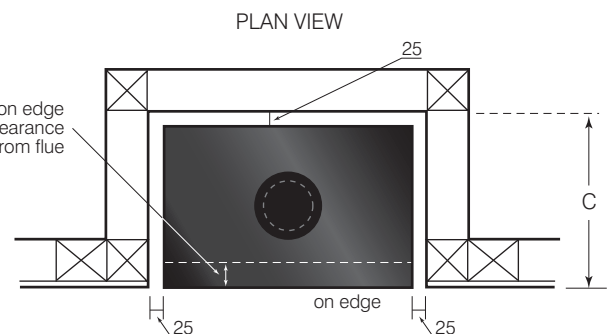


**Fig 1A - Dimensions**

Model No	A	B	C	D	E	F	G	H	J	K
A450	595mm	395mm	670mm	195mm	205mm	195mm	90mm	100mm	195mm	200mm
A650	840mm	470mm	680mm	315mm	205mm	315mm	155mm	110mm	255mm	215mm
A750	910mm	495mm	680mm	325mm	260mm	325mm	140mm	90mm	270mm	225mm
A900	1060mm	565mm	740mm	400mm	260mm	400mm	180mm	125mm	315mm	250mm



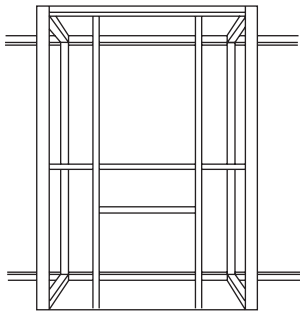
**Fig 1B**



**Fig 1B - Min. Framing Dimensions on Non-combustible floor**

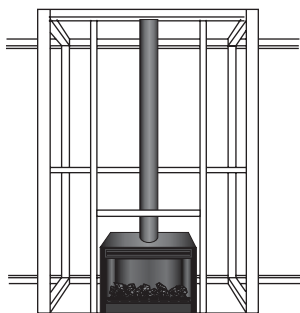
If installing onto combustible material, Heatmaster recommend 10mm cement sheeting underneath unit. Please take this into account when framing.

Model No	A450	A650	A750	A900
Height from non combustible floor	695mm	705mm	705mm	765mm
Width	645mm	890mm	960mm	1110mm
Depth "C"	430mm	505mm	530mm	600mm

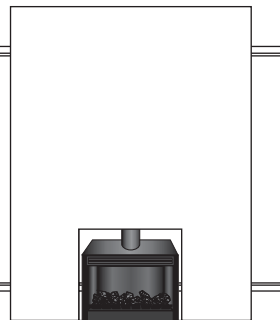


STEP 1

**Step one.**  
After selecting your Heatmaster unit and installing your hearth, erect frame work with the appropriate clearance (see timber framing specification fig 1B). (If using a mantelpiece ensure that the overall width of your chimney breast is an adequate size).



STEP 2



STEP 3

**Step two.**  
Install selected insulated "A series" Heatmaster unit along with flues (see Flue detail diagram fig 3A). Insert gas unit using a qualified Gas Plumber. (For full gas specifications read the Gas Kit Owners Manual)

**Step three.**  
Enclose framing with plasterboard/gyprock or timber paneling, ensuring approved clearances are maintained.

**Step four.**  
Select one of our many finishing options. A wide range of stone, marble, cast iron or steel fascias and mantelpieces are available.

Fig 2A - Finishing your Heatmaster installation

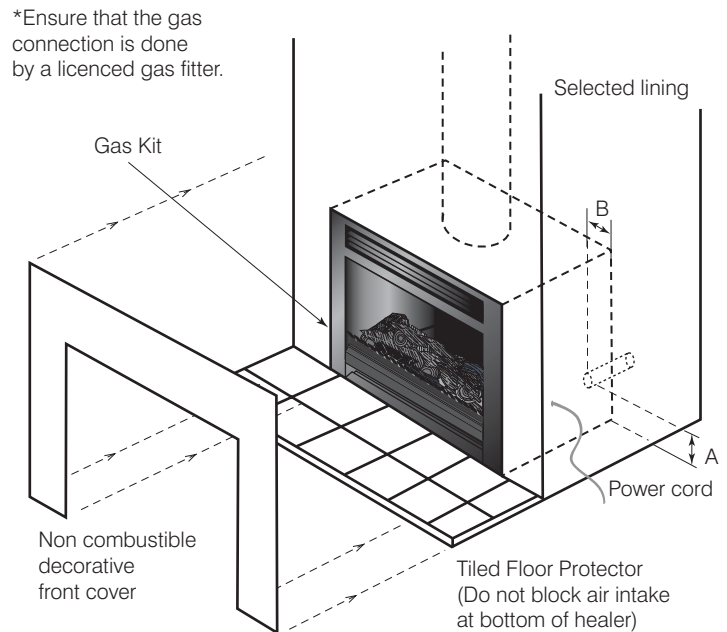


Fig 2B - Heatmaster firebox gas pipe location

Model No	A	B
A450	110mm	120mm
A650	95mm	145mm
A750	115mm	125mm
A900	135mm	130mm

Fig 2C - Room Ventilation

Permanent ventilation is required. (As per standard AS561 - AG601 - 2000)

A cross sectional area of 40,000sq mm of effective ventilation is required.

Therefore, if using option A you require 2 vents where using option B only requires 1.

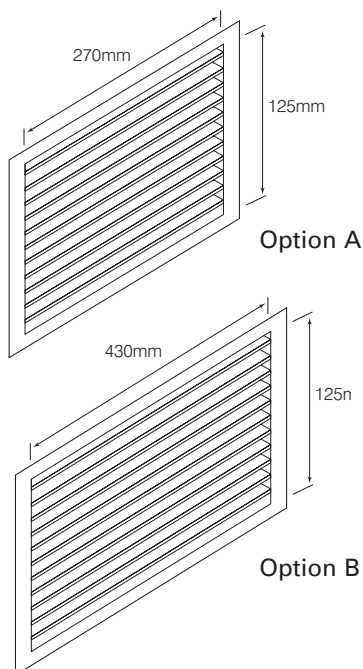
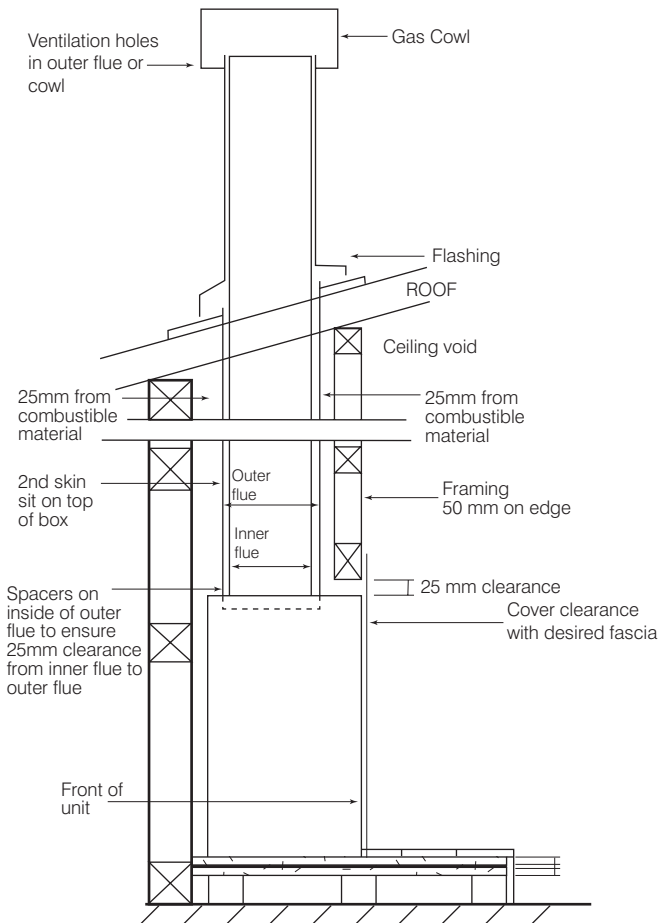


Fig 2D - Gas MJ Input for Heatmaster Gas Fires

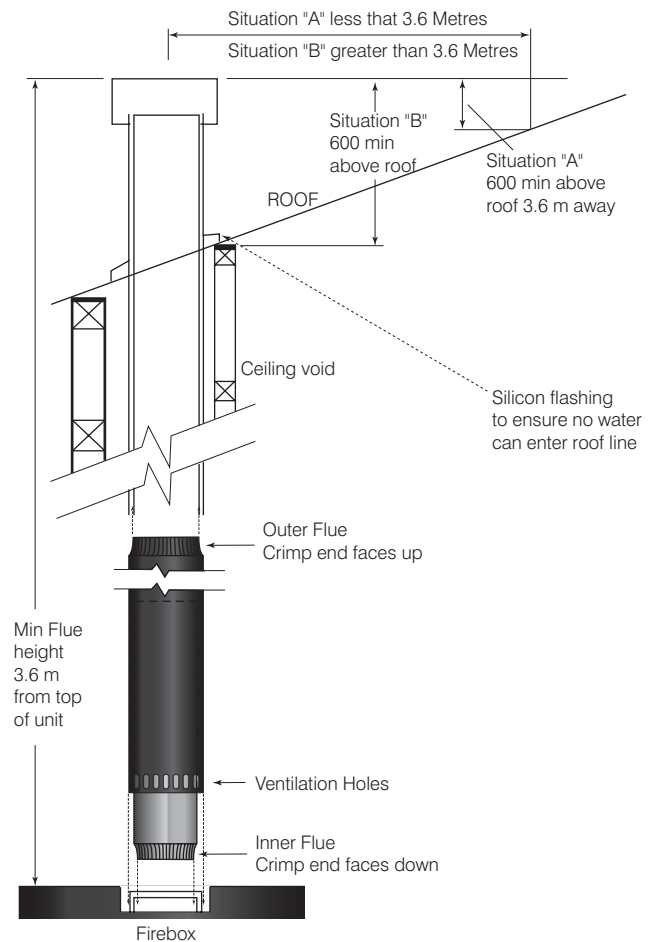
Model	LPG	Natural Gas
450 Gas Coal / Log unit	23 MJ/Hr	28 MJ/Hr
650 Gas Coal / Log unit	31 MJ/Hr	37 MJ/Hr
750 Gas Coal / Log unit	31 MJ/Hr	37 MJ/Hr
900 Gas Coal / Log unit	36 MJ/Hr	39 MJ/Hr
650 Gas Log unit	40 MJ/Hr	48 MJ/Hr
750 Gas Log unit	40 MJ/Hr	48 MJ/Hr
900 Gas Log unit	60 MJ/Hr	60 MJ/Hr

The Heatmaster double skin flue kit, into timber and plaster must have clearance of 25mm from any combustible material. Be sure the inner flue crimped end faces down while the outer flue crimped end faces up. The first and last length of flue must have ventilation holes, these cool the flue down by allowing air to travel in between the two skins. Be sure to pop rivet (or use self-tapers) and silicon flue lengths together along with the cowl. The flue must protrude above the roofline by no less than 600mm with nothing obstructing within 3600mm. (See diagram 3B)

**Fig 3A - Flue installation**



**Fig 3B - Flue Roof Clearance**



**Fig 3C - Off sets and Clearances**

