



HEAT & GLO™
No one builds a better fire



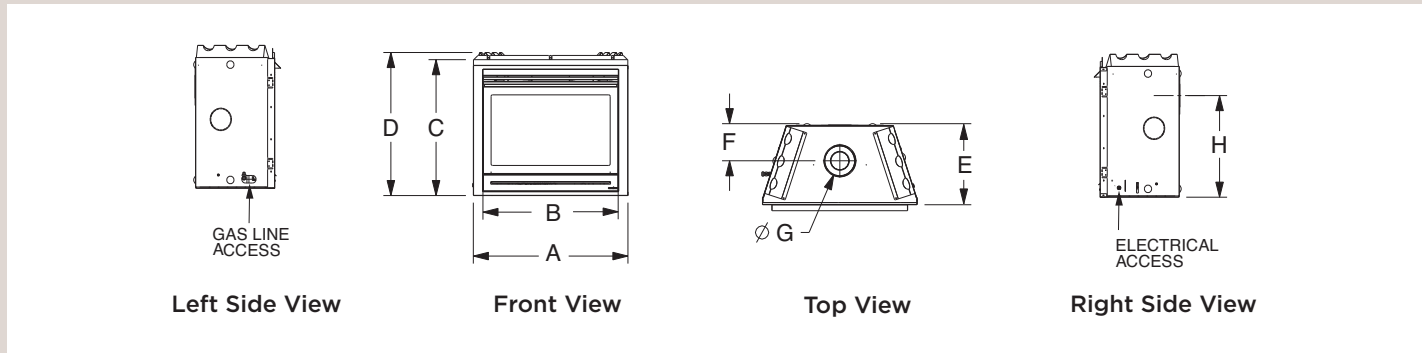
550 Pebble Balanced Flue Gas Fire

Dimensions & specifications

MODEL	A	B	C	D	E	F	G	H	VIEWING AREA	INPUT mJh	kWh OUTPUT	
550TRSI	913	790	816	877	414	191	168 top 203 rear	593	670 X 410	High Ng 28 Low Ng 20	High Lpg 26 Low Lpg 18	Ng 5.9 Lpg 5.5

Dimensions above are in millimetres and for reference only. Refer to installation manual for detailed specifications on installing this product and framing specifications.

550TRSI

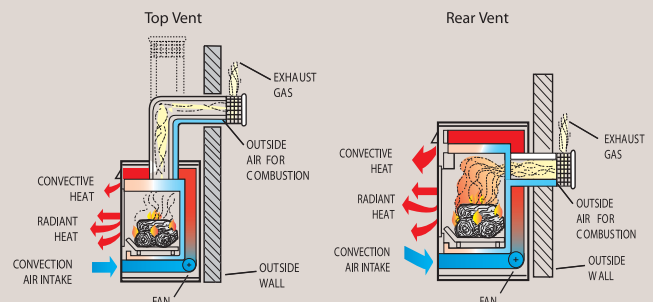


The 550TRSI Pebble Balanced Flue Gas Fire features an impressive 78% efficiency rating, a generous array of realistic pebbles and balanced flue technology. The Heat & Glo 550TRSI draws 100% of its air from outside, not relying on oxygen from within the room. Its versatility and flexibility allow for easy installation in almost any situation, and the 'IntelliFire' battery back up electronic ignition system eliminates the need for a continuously burning pilot light. Battery back up ensures your fire will operate even in a power outage.

Other Features include:

- Top or rear venting options provide installation flexibility
- Zero clearance provides ease of installation and cost savings
- Variable speed fan with auto on/off
- Multifunction remote provides temperature, flame height and start time control
- Gas input rate: up to 28mJh
- Energy saving 78% efficiency with the authenticity of a traditional fire 3.5 Star rating (must vent horizontally with deluxe remote)

AGA Approval No. 5666



For further information contact your nearest Jetmaster showroom.

NSW	10 Martin Ave, Arncliffe	02 9597 7222	QLD	59 Pineapple St, Zillmere	07 3263 4955
NSW	167 Eastern Valley Way, Castlecrag	02 9958 1777	SA	19 Marlow Rd, Keswick, Adelaide	08 8371 1222
NSW	3/10 Salisbury Rd, Castle Hill	02 9680 7279	WA	277 Lord St, East Perth	08 9228 2600
NSW	17A Lyell St, Mittagong	02 4872 2234			
NSW	334 Bruner Rd, Adamstown, Newcastle	02 4952 9299	EMAIL	sales@jetmaster.com.au	
VIC	444 Swan St, Richmond	03 9429 5573	VISIT	www.jetmaster.com.au	

